

## Specifications 技术参数

Square body fuse links

Size: 000

### Ratings & Features Applications 电气参数/功能应用领域:

- ◇ Volts电压: 1000Vdc;
- ◇ Amps电流: 25-250A;
- ◇ Interrupting Capacity: 分断:  
Max 1000Vdc 50kA; (or less)  
Min  $\geq 3.0 I_n$ ;
- ◇ Time Constant时间常数:  $\leq 2 \pm 1$  ms; ;
- ◇ Class Type产品类别: aR;
- ◇ Design For Dc Applications 直流应用设计;
- ◇ Excellent Dc Performance 卓越的直流分断能力;
- ◇ Superior cycling capability 可循环利用率高
- ◇ Low Watt Losses 低功率损耗;
- ◇ EV/Hybrid EV 纯电动/混合动力车;
- ◇ Drive Power System 驱动电力系统;
- ◇ Supercapacitor Module 超级电容模组;
- ◇ EV Charging Equipment 车用充电设备;



### Standards / Approvals 认证/标准:

- ◇ Refer To UL 248.1/UL 248.13
- ◇ IEC 60269.1/IEC 60269.4  
性能参考UL 248.13及IEC60269.4;
- ◇ Reach Declaration Available Upon Request;  
可根据要求提供REACH声明;
- ◇ RoHS Compliant.  
符合RoHS。

### Features & benefits 产品特性:

This product is a fuse designed for partial range protection. It features low I<sub>2</sub>t, strong current limiting capability, and high breaking capacity. It is suitable for applications in industries such as rail transit, electric vehicles, and boats. It can serve as backup protection after short-circuiting for energy storage systems, power systems, conductors, and other devices and equipment.

本产品为部分范围保护用熔断器，具有低I<sub>2</sub>t、强限流能力、高分断能力等特点，适用于轨道交通、电动汽车、船舶等行业应用。可以作为储能系统、动力系统、导线及其他器件和设备的短路后备保护。

### Product Model 产品型号说明:

**HC** **HV** **T** **1000** : **250** **A** : **36E**

**HC:** Company Code

**PV:** Photovoltaic

**HV:** High Speed

**F:** Fiberglass **T:** Ceramics

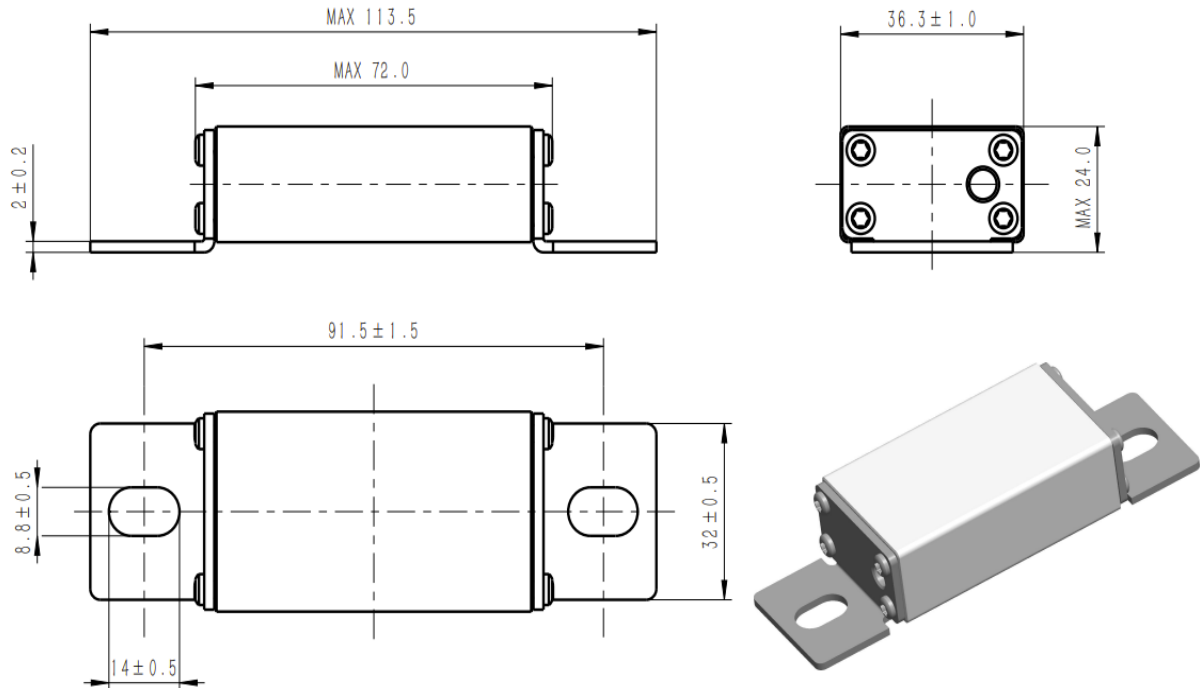
**Rated Voltage:** 1000: 1000V

**Rated Current:** 250: 250A

**x: Connect:** A

**Type Series Code:** 36E

#### Dimensions (mm) 尺寸:



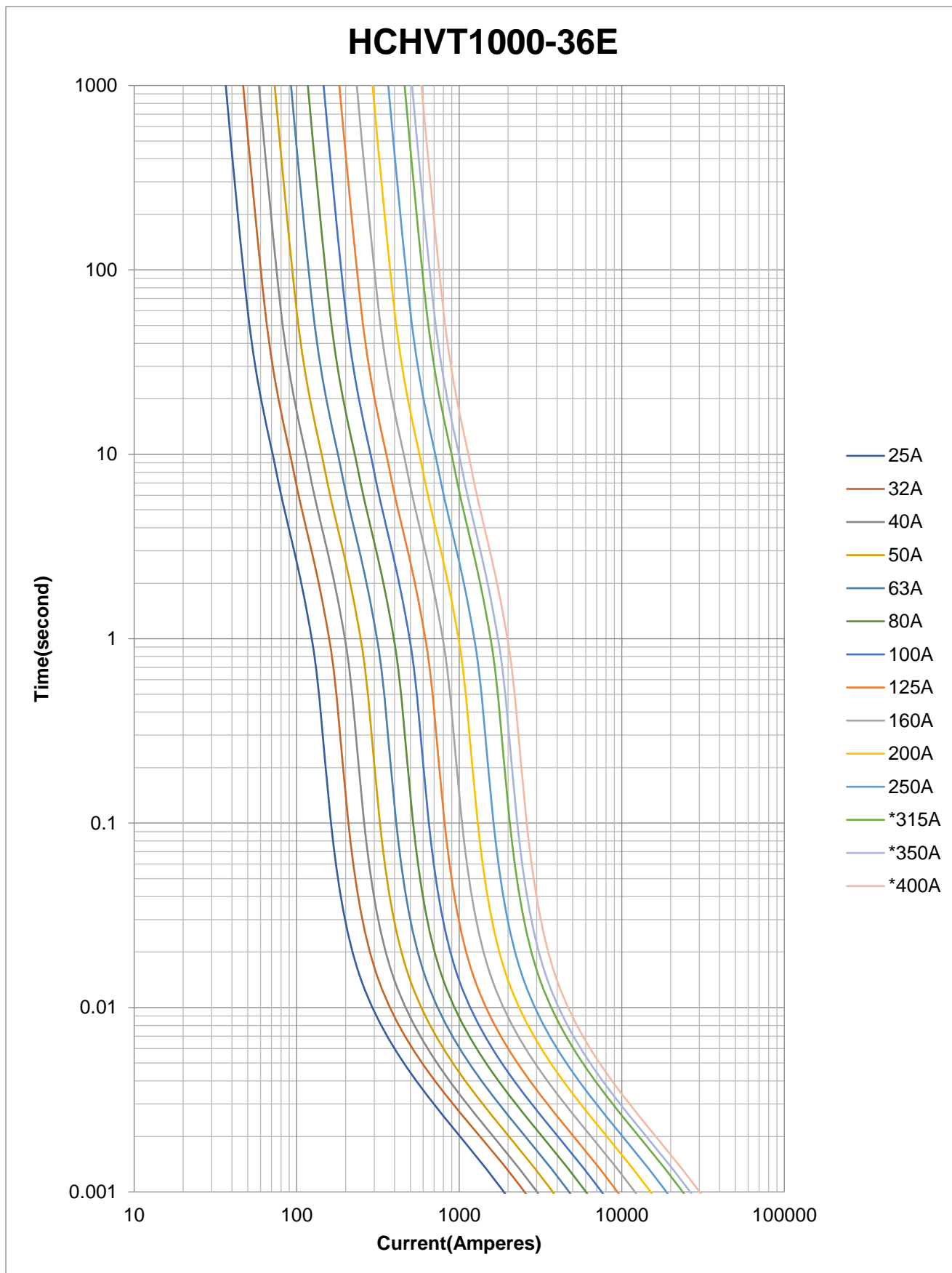
#### Fuse Ratings 额定参数:

Part No.	Fuse Amps	Breaking Capacity	Average @50KA/1000Vdc		Power Loss (W)	Installation torque
			A <sup>2</sup> s Melting	A <sup>2</sup> t Clearing	100%	
HCHVT1000-25A-36E	25	50kA	21	105	8	11.0±1.0 N·m
HCHVT1000-32A-36E	32	50kA	38	185	10	11.0±1.0 N·m
HCHVT1000-40A-36E	40	50kA	68	325	12	11.0±1.0 N·m
HCHVT1000-50A-36E	50	50kA	155	745	16	11.0±1.0 N·m
HCHVT1000-63A-36E	63	50kA	305	1450	20	11.0±1.0 N·m
HCHVT1000-80A-36E	80	50kA	560	2480	22	11.0±1.0 N·m
HCHVT1000-100A-36E	100	50kA	960	4820	25	11.0±1.0 N·m
HCHVT1000-125A-36E	125	50kA	1640	8950	27	11.0±1.0 N·m
HCHVT1000-160A-36E	160	50kA	4100	18750	36	11.0±1.0 N·m
HCHVT1000-200A-36E	200	50kA	9560	39700	39	11.0±1.0 N·m
HCHVT1000-225A-36E	225	50kA	11780	54700	42	11.0±1.0 N·m
HCHVT1000-250A-36E	250	50kA	14500	70590	45	11.0±1.0 N·m

\*: If there are any requirements, please communicate with the original factory staff first.

◇ DC Cold Resistance are measured at <10% of rated current in ambient temperature of 25°C ;

Time-Current Curve 时间电流曲线图:



1: The accuracy of the characteristic curve is  $\pm 15\%$  of the current direction error;

2: Minimum breaking current:  $3.0 I_n$

**Operating conditions 使用条件:**

- ◇ Product storage Temperature:  $-40^{\circ}\text{C}\sim 120^{\circ}\text{C}$ ( $-40^{\circ}\text{F}\sim 248^{\circ}\text{F}$ );  
产品存储温度:  $-40^{\circ}\text{C}\sim 120^{\circ}\text{C}$ , 在 $40^{\circ}\text{C}$ 时相对湿度不大于70%;
- ◇ Product storage Humidity:  $T=40^{\circ}\text{C}$  RH $\leq$ 70%,  $T\leq 30^{\circ}\text{C}$  RH $\leq$ 80%,  $T\leq 20^{\circ}\text{C}$  RH $\leq$ 90%;  
在 $30^{\circ}\text{C}$ 以下, 产品相对湿度不大于80, 在 $20^{\circ}\text{C}$ 以下, 相对湿度不大于90%;
- ◇ Package storage Temperature:  $-40^{\circ}\text{C}\sim 80^{\circ}\text{C}$ ( $-40^{\circ}\text{F}\sim 176^{\circ}\text{F}$ );  
包装存储温度:  $-40^{\circ}\text{C}\sim 80^{\circ}\text{C}$ ;
- ◇ Fuses can perform regularly under the flowing conditions without corrections;  
熔断器在下述的正常使用条件下工作, 不需要额外的修正;
- ◇ Regular current flow should  $\leq 75\%$  of recommended rated current;  
推荐长期通流的电流值不大于额定电流的75%;
- ◇ High frequency vibration resistance:  $\geq 20\text{g}$ ;  
本系列熔断器有良好的抗振动和冲击的耐受能力, 可承受20g以上的加速度;
- ◇ Intense vibration and shocking conditions need more tests.  
振动较为强烈的应用环境, 可商议进行对应测试, 一般要经过较长的周期。
- ◇ Replacing fuses if damaging facilities;  
对有机机械损伤的熔断器必须进行更换;
- ◇ DO NOT change fuses while loading unless MUST.  
除非使用要求允许, 如熔断器式负荷开关, 否则请勿带负载更换熔断器。
- ◇ Operating temperature:  $-5^{\circ}\text{C}\sim 40^{\circ}\text{C}$  ( $23^{\circ}\text{F}\sim 104^{\circ}\text{F}$ );  
正常使用条件:  $-5^{\circ}\text{C}\sim 40^{\circ}\text{C}$ ;
- ◇ Allowable operating temperature:  $-40^{\circ}\text{C}\sim 125^{\circ}\text{C}$  ( $-40^{\circ}\text{F}\sim 257^{\circ}\text{F}$ );  
允许使用条件:  $-40^{\circ}\text{C}\sim 125^{\circ}\text{C}$ ;
- ◇ Temperature correction factors: when below  $-5^{\circ}\text{C}$  ( $23^{\circ}\text{F}$ ), low overload (L.O.) pre-arcing time will slightly extend, rated current will slightly increase;  
周围空气温度变化的参数修正: 在低于 $-5^{\circ}\text{C}$ 下工作, 熔断器的低倍过载电流的弧前时间略有延长, 额定电流略有增大, 但是除非 $-5^{\circ}\text{C}$ 以上不是工作范围, 一般不参考增加熔断器额定电流;
- ◇ If operating above  $40^{\circ}\text{C}$  ( $104^{\circ}\text{F}$ ), rated current need extra corrections, factors:  $-Kt$ ①。  
熔断器在 $40^{\circ}\text{C}$ 以上工作, 额定电流需要额外的修正, 修正系数为 $-Kt$ 。

\*Note①:  $Kt$  value has already considered the safety current allowance under regular operating scenarios.

\*注1:  $Kt$ 的取值已考虑熔断器在正常工作条件下的额定电流安全余量的影响。

